

# ROTARY INDEXING TABLE

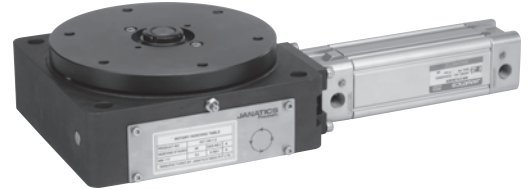
## Series RIT-180

Cat No RIT180 - 01 - 01 - B

### ROTARY INDEXING TABLE

#### Features

- Elegant and compact design
- Smooth operation
- Angle accuracy  $\pm 0.1^\circ$
- VDMA standard cylinder mounted
- Indexing stages 4, 6, 8, 12, 24



#### Application

- Pick and place applications
- Assembly automation
- Printing and packaging
- Swiveling and separating tasks
- Labeling

#### Technical Specifications

Model	RIT-180
Port size	G1/4
Medium	Compressed air - filtered - lubricated
Maximum operating pressure	10 bar
Indexing plate $\varnothing$	180 mm
Direction of rotation	Clockwise
No. of. Indexing stages	4, 6 (Standard), 8, 12, 24
Actuated Torque	45Nm @ 8 bar
Accuracy	$\pm 0.1^\circ$
Lubrication	General purpose grease
Ambient temperature	$-10^\circ$ to $+60^\circ$ C
Medium temperature	$+5^\circ$ to $+50^\circ$ C
Materials of construction	Cast Iron, Steel, Stainless steel, PB

#### Caution

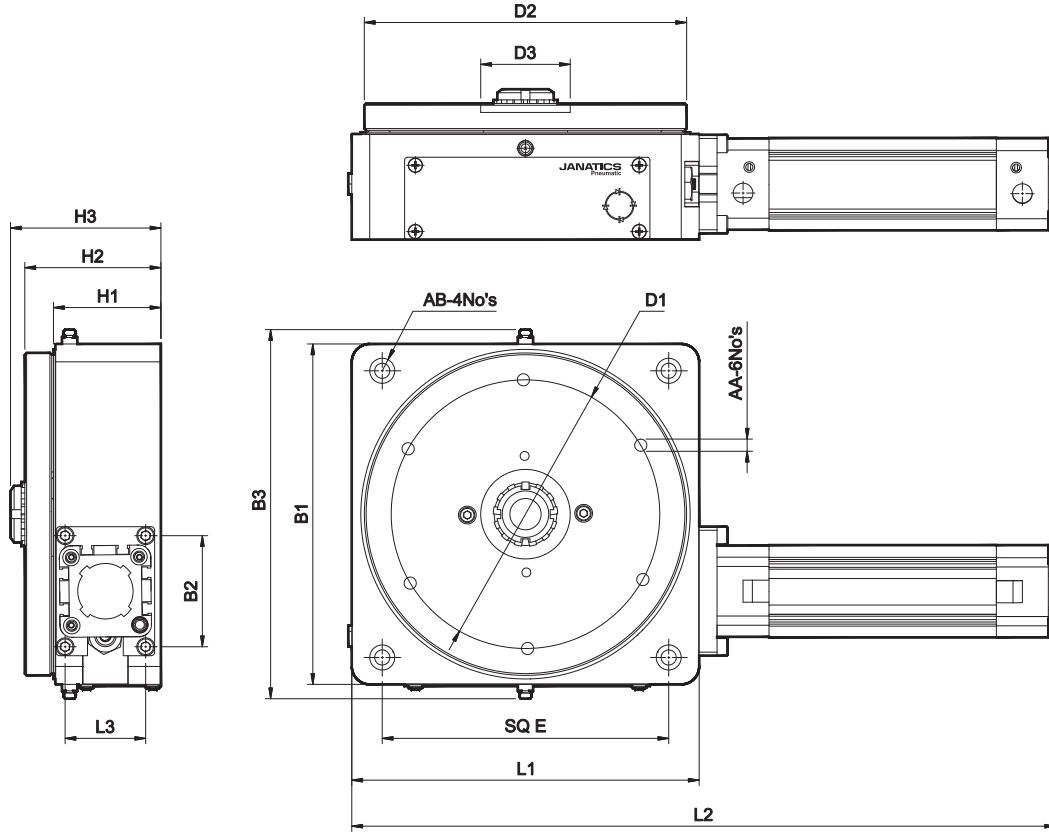
While using in machining / manufacturing automation, take necessary care to prevent ingress of machined chips, debris, coolant etc., into the product, to avoid malfunctioning or permanent damage.

# ROTARY INDEXING TABLE

## Series RIT-180

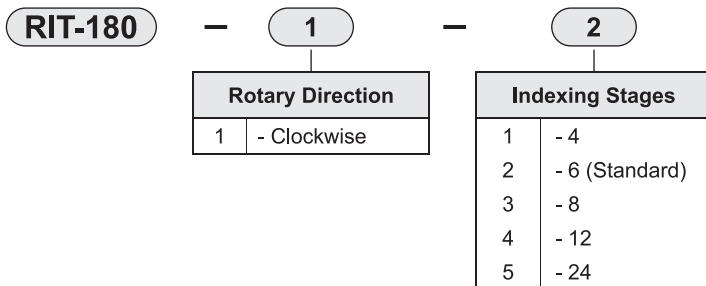
Cat No RIT180 - 01 - 01 - B

### Basic Dimensions



L1	L2	L3	B1	B2	B3	H1	H2	H3	ØD1	ØD2	ØD3	SQ E	AA	AB
194	393	45	190	62	206	60	75	80	150	180	50	160	M8x1.25	M8 Counter bore

### How to order



### Ordering Example:

Ordering Rotary Indexing Table, Clockwise rotation with 6 Indexing stages: **RIT-180-1-2**